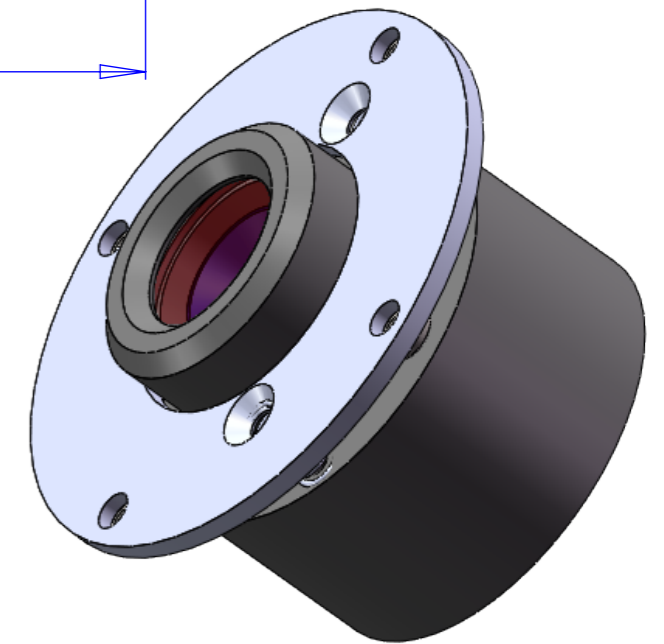
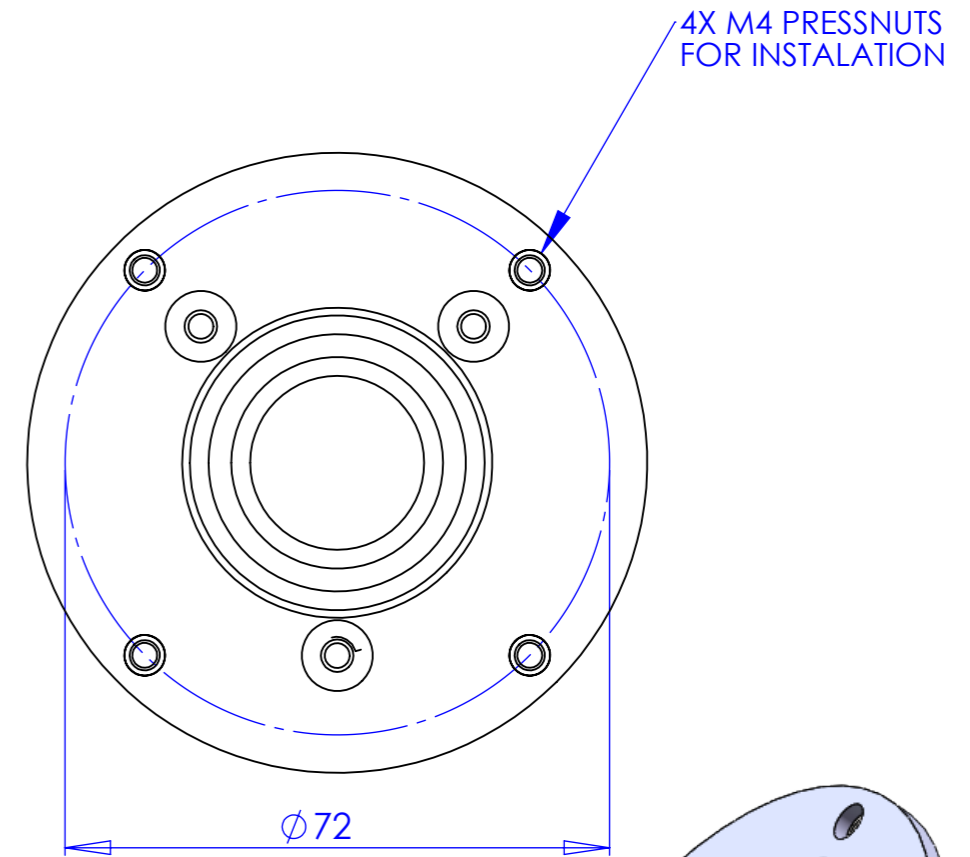
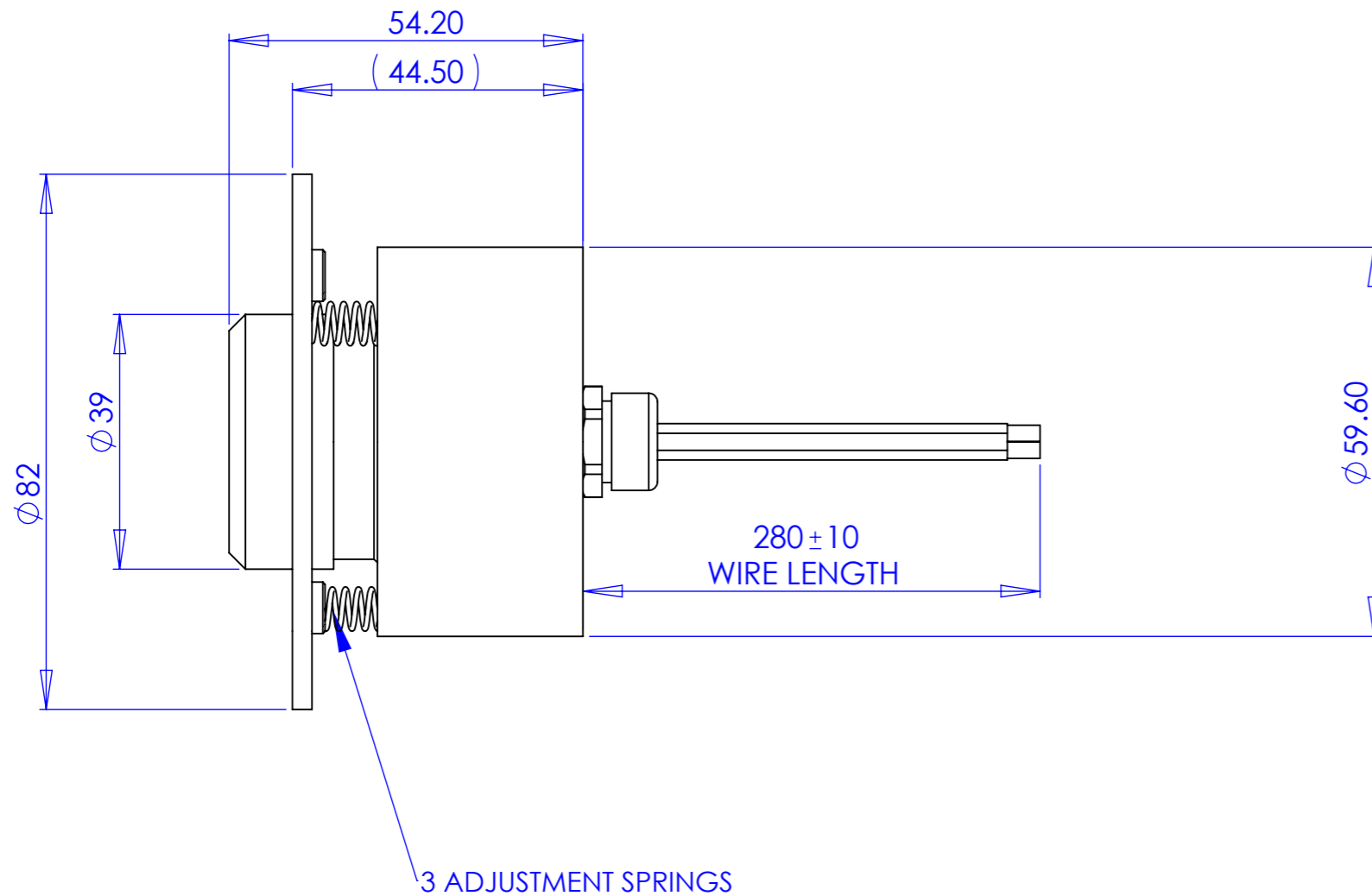


THIS DOCUMENT AND THE INFORMATION CONTAINED IN IT ARE PROPRIETARY AND CONFIDENTIAL TO LED-R, NO PERSON IS ALLOWED TO COPY, REPRINT, REPRODUCE OR PUBLISH ANY PART OF THIS DOCUMENT, NOR DISCLOSE ITS CONTENTS TO OTHERS, NOR MAKE ANY USE OF IT, NOR ALLOW OR ASSIST OTHERS TO MAKE ANY USE OF IT - UNLESS BY THE PRIOR WRITTEN EXPRESS AUTORIZATION OF LED-R AND THEN ONLY TO THE EXTENT AUTHORIZED.  
(C) COPYRIGHT - CDN Technologies Ltd.

REVISIONS			
REV.	DESCRIPTION	DATE	APPROVED
A	-	29/12/2011	D.C



SPECIFICATIONS	
LED Array wavelength	850nm
Radiant power	180mW
Power consumption	2.4Watt
Input voltage	7 to 32 VDC
Weight	125 gm
Protection Standard	IP66
Finish	Black Anodize
Operating Temperature	-35°C to +54°C
Operating Humidity	5% - 100%

P/N	VIEW ANGLE [2Θ,°]
DPI-011-850-S15	15
DPI-011-850-S25	25
DPI-011-850-S45	45
DPI-011-850-S60	60

UNLESS OTHERWISE SPECIFIED DIMENSIONS ARE IN mm		<b>Material</b>	-			Ben-Shemen #32 Zip: 73115	
TOLERANCES		<b>Finish</b>	BLACK ANODIZE			Tel: 972 -52-511-8159 Sales@led-r.com	
LINEAR	ANGULAR	DWG	D.C.	29/12/2011	TITLE		
± 0.1	± 0.2	DSGN	D.C.		DPI-011-850-SXX ASM		
1st. ANGLE PROJECTION		CHKD	D.C.		SIZE	PROJ NAME	DWG NO
		QTY:	1		A3		11001016
		FILE NAME:	DPI011850SXX		SCALE: 1:1	REMOVE BURRS 0.2 x 45°	SHEET 1 OF 1
(C) COPYRIGHT -CDN Technologies Ltd.							REV A