

## Vehicle Internal Cabin Light

**VE5-0603 With On/Off switch**

**VN5-0603 Without On/Off switch**

**VE4-0603 Small Size; IP67**

Our Vehicle Internal Cabin Light series feature 2 light options in one product, low profile and small size with high light output. Using top quality LED for long operation duration.

The illuminator is rugged, designed for harsh environments and severe operating conditions, with anodized Aluminum shell.

A Compact design and several lighting options allow a variety of applications on many types of vehicles.



## Specifications

Power Consumption: 3 W

Input Voltage: 10 to 28VDC

Weight: 80g

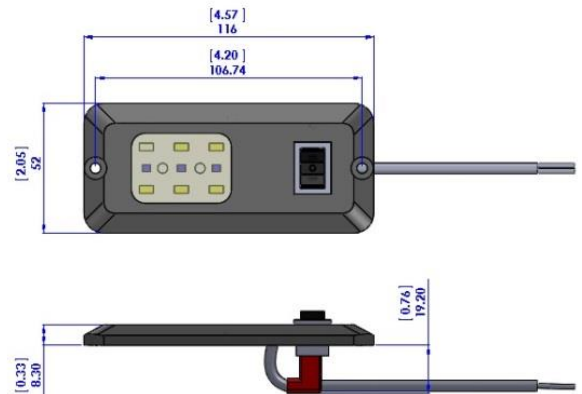
Operating Temperature: -35°C to +54°C

Operating Humidity: 5% to 95%

Dimensions: VE5; VN5: 116x52x8.3mm

VE4: 94x52x8.3mm

Finish: Black or Natural Anodize



## Ordering information

**VE5-0603 – BCWB-C12-X**

**1 2 3 4 5 6 7**

1	Series and model	<b>VE5:</b> On/Off switch	<b>VN5:</b> No switch	<b>VE4:</b> Small, IP67
2	Finish	B: Black Anodize		
3	Main light white color	CW: 5500K -6000K		
4	Secondary light color	B: Blue	R: Red	W: White N: None
5	Front Window	C: Clear	M: Milky White	
6	Operation Voltage	2: 12 V	4: 24V	
7	Customizations	Contact us for customization requirements		